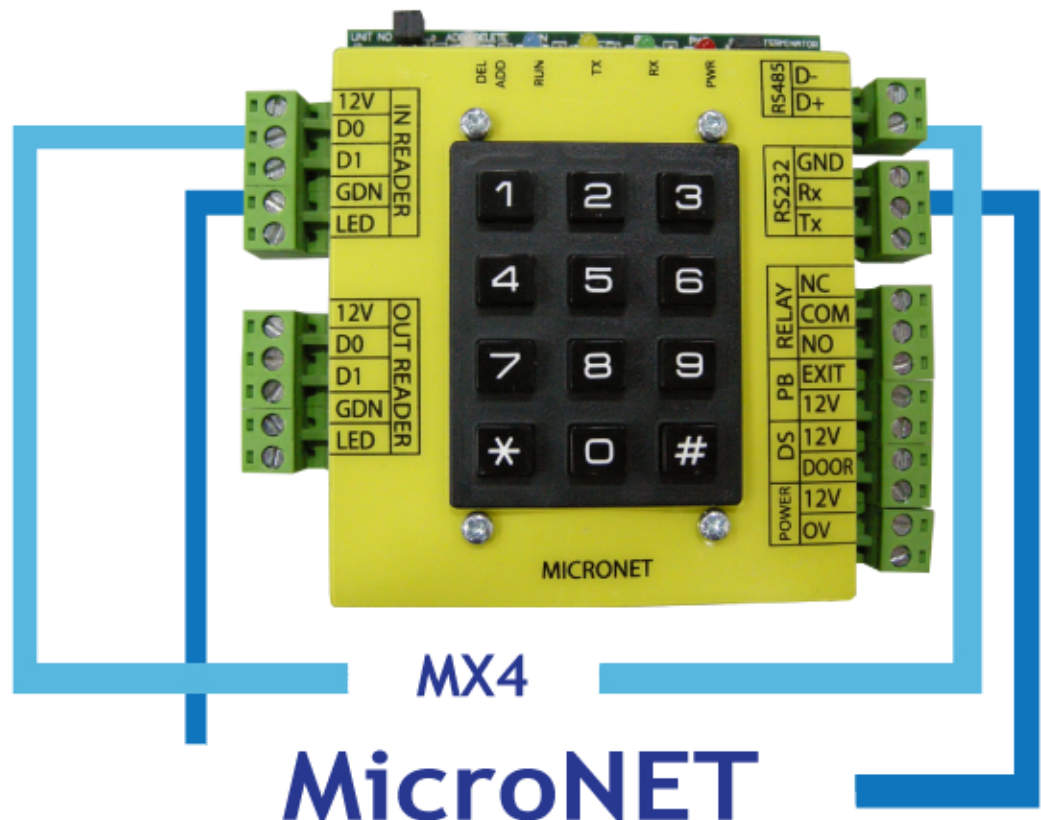




Micro ID

Simple Stylish

DOOR ACCESS SYSTEM

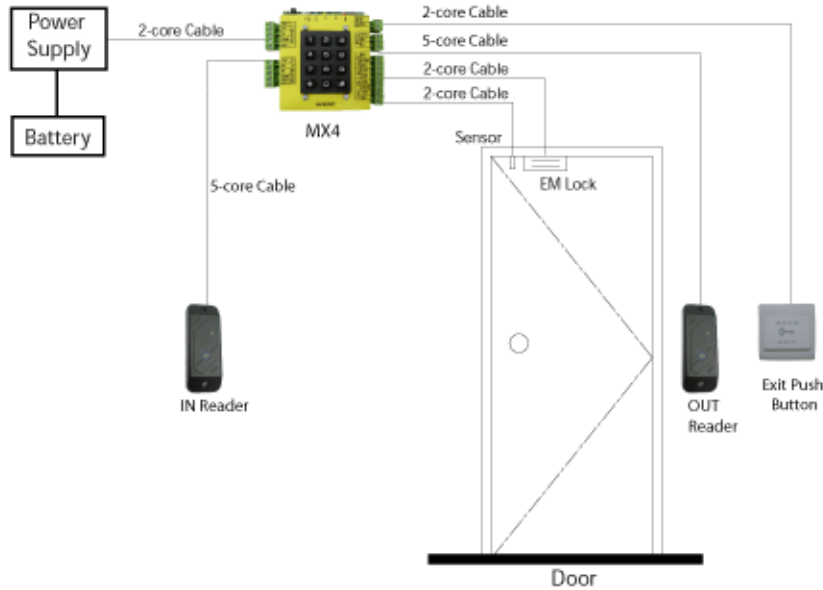


MX4 is a unique security door access controller which offers a low-cost solution for the small to medium business segment. The MX4 offers simple and user-friendly application to users and installers. It can be easily integrated to work with entry and exit doors, turnstile or flip-gates systems.

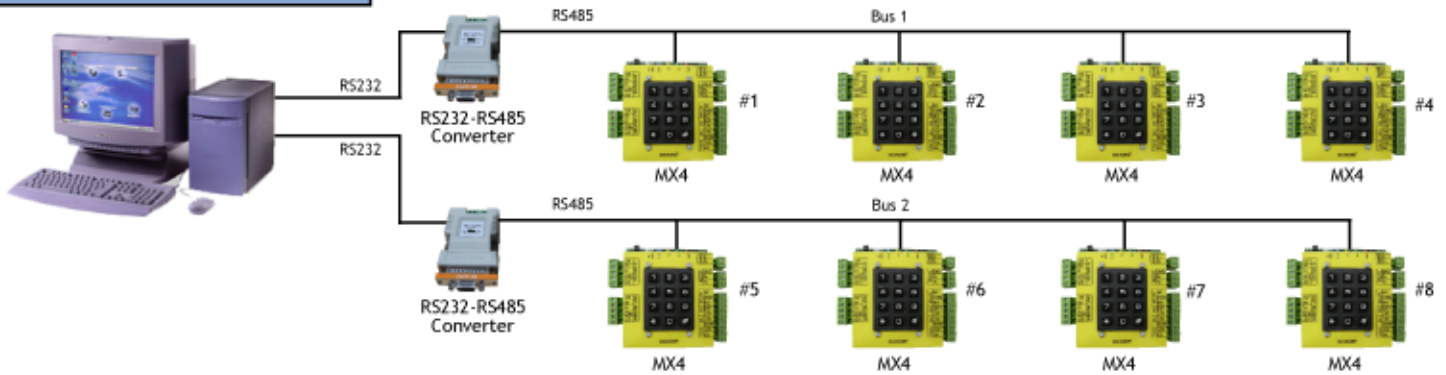
System Specifications

MCU	MC68HC908GP32 8-bit CPU	Card Database	2000
Memory	512 Byte RAM, 32KB Flash, 16KB EEPROM	Transaction Database	3000
		Add Card by reader or keypad	Yes
Communication Interface	RS232, RS485, TCP/IP (optional)	Delete card by reader or keypad	Yes
Baud Rate (bps)	19200	Programmable Master PIN	Yes
Input	Exit Push Button, Door Sensor	Adjustable Lock Release Time	Yes
Output	Door Latch,	Permanent Lock Release	Yes
Power Supply	12VDC, 0.3AMP	Reader Type	Wiegand 26-bits Reader
Operation Temperature (°C)	0 - 50	Operation Mode	Card

Stand-Alone Configuration



Network Configuration



LAN Network Configuration

