

### MZ11 CABLE WIRING

- 1) RED ——— +12V SUPPLY } TO POWER SUPPLY
- 2) BLACK ——— 0V } TO POWER SUPPLY
- 3) GREY ——— DOOR SENSOR
- 4) WHITE ——— PUSH BUTTON
- 5) BLUE ——— NC1 } ELECTRIC LOCK RELAY
- 6) YELLOW ——— COM1 } ELECTRIC LOCK RELAY
- 7) BROWN ——— NO1 } ELECTRIC LOCK RELAY
- 8) ORANGE ——— NC2 } ALARM
- 9) GREEN ——— COM2 } ALARM
- 10) VOILET ——— NO2 } ALARM

### MZ11 EXIT READER CONNECTION

- 1) BROWN ——— ANTENNA
- 2) BROWN ——— ANTENNA
- 3) BLUE ——— RED LED
- 4) GREEN ——— GREEN LED
- 5) VIOLET ——— BUZZER
- 6) BLACK ——— GND

### MZ11 KEYPAD CONNECTION

- 1) ORANGE ——— ROW 0
- 2) YELLOW ——— ROW 1
- 3) GREY ——— ROW 2
- 4) WHITE ——— ROW 3
- 5) PINK ——— COL 0
- 6) BLUE ——— COL 1
- 7) BROWN ——— COL 2

## MZ11 Controller

### MZ11 Exit Reader

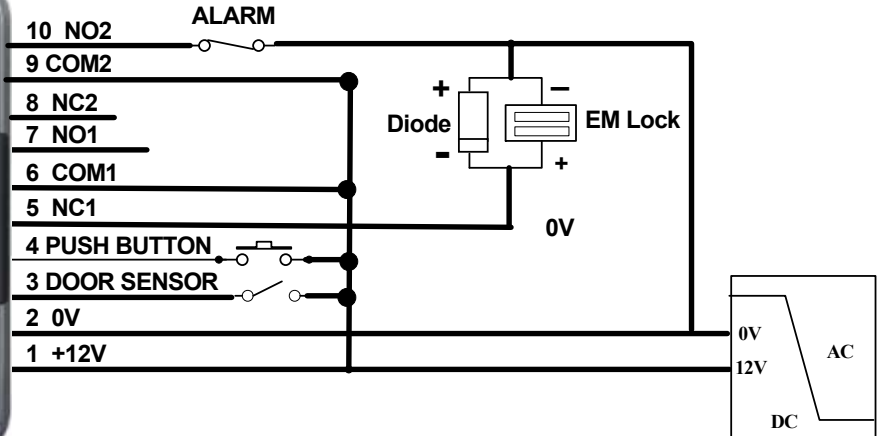


Reader Connection

- ANTENNA
- ANTENNA
- RED LED
- GREEN LED
- BUZZER
- GND

Keypad Connection

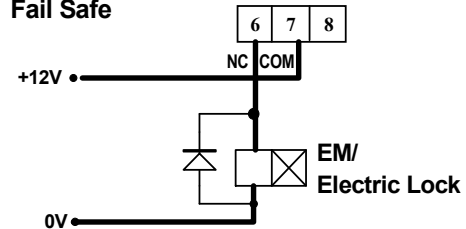
- ROW0
- ROW1
- ROW2
- ROW3
- COL0
- COL1
- COL2



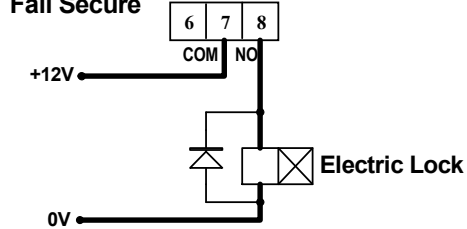
Power Supply (12VDC)

### EM Lock / Electric Lock Wiring

#### Fail Safe



#### Fail Secure



Title		
<b>MZ11 CONTROLLER</b>		
Size A4	Number <b>MZ11-101</b>	Revision <b>1</b>
Date: 7-Oct-2008	Sheet of	
File: D:\MICROF-1\MZ11\MZ11-101.S01	Drawn By:	